



Electric Strike

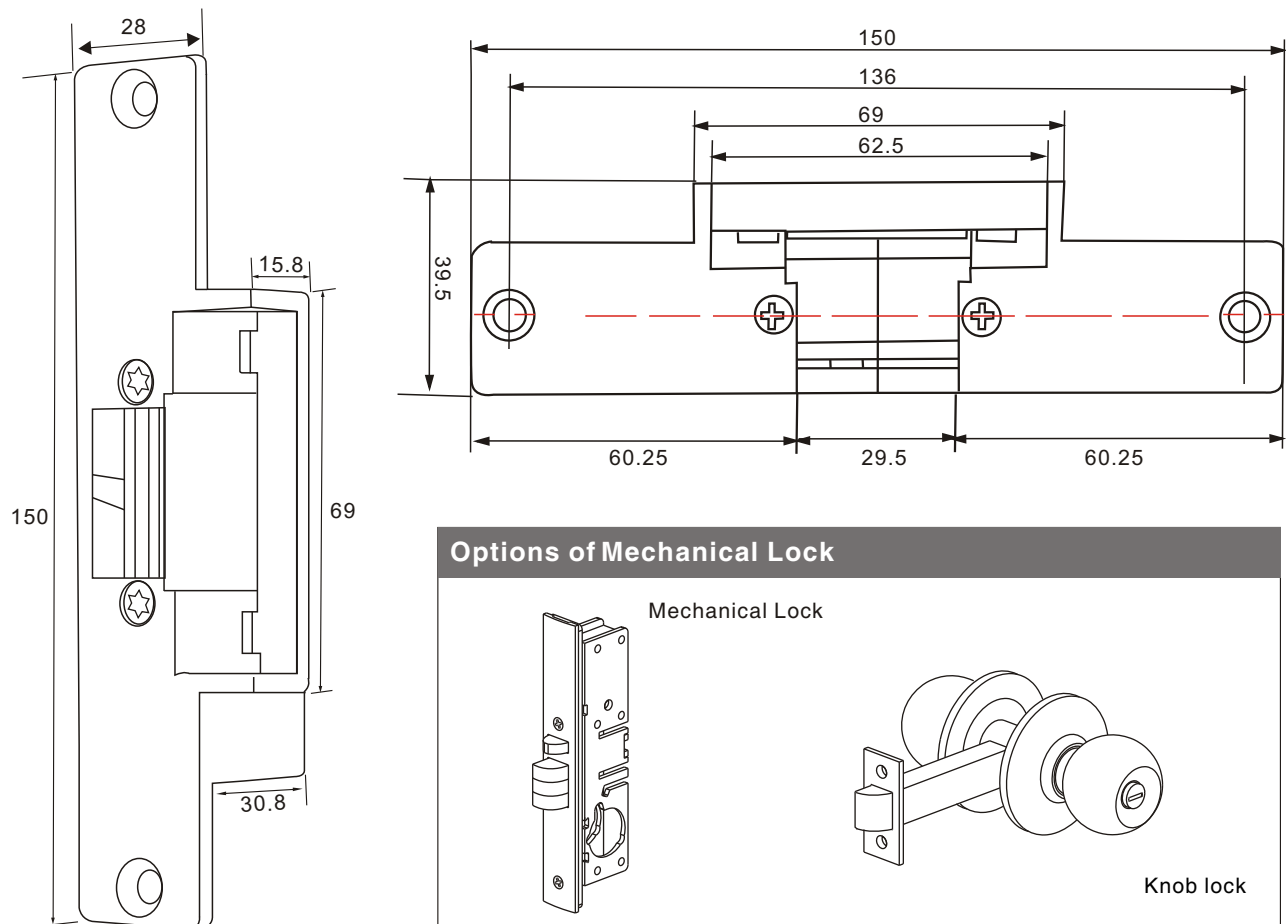
Standard-type Electric Strike

Model:YS-131NO/NC

Specification

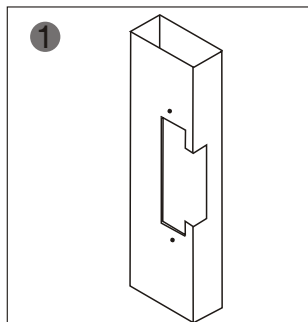
Size	160Lx39.5Wx28H(mm)
Voltage	12VDC
Current	450mA(YS-131NO) 200mA(YS-131NC)
Feature	FailSecure(YS-131NO) FailSafe(YS-131NC)
Suitable For	Wooden Door, Metal Door
Finishing	Electroplating
Weight	0.3kg

Diagram (unit:mm)

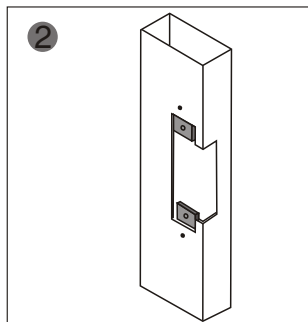




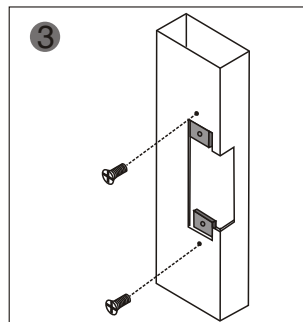
Installation



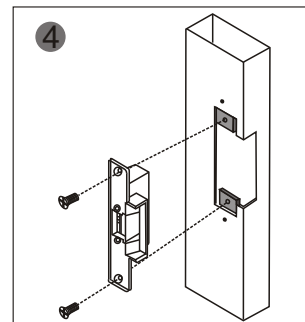
1 Cut hole according to the dimension of strike.



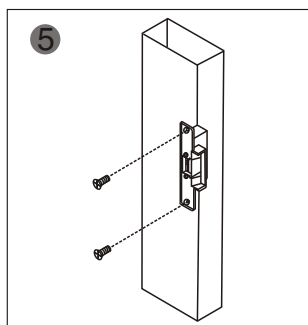
2 Insert the fixing lug



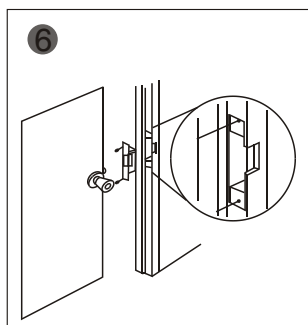
3 Fix the fixing lug



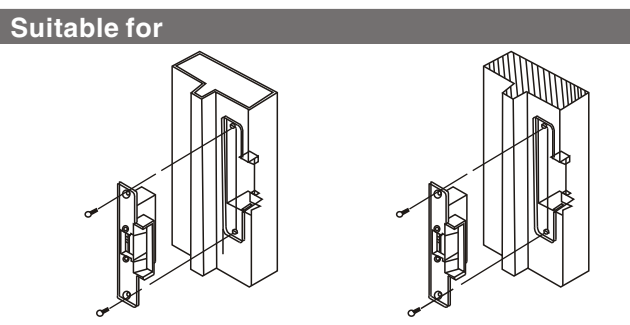
4 Assemble the lock and connect it to the power to test



5 Fix the electric strike



6 Finished



Suitable for Metal Door Frame

Wooden Door Frame

Wire connection

